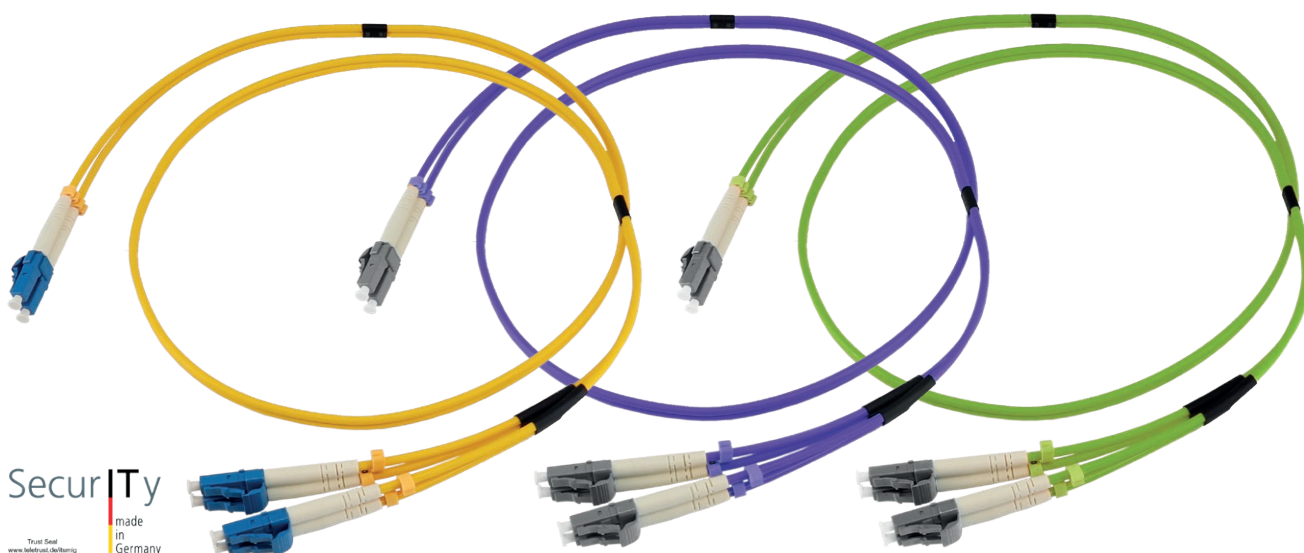




Y-Cable for Fiber Network TAPs

FOR FIBER NETWORKS & LC-CONNECTORS



SecurITy
Trust Seal
 made
 in
 Germany

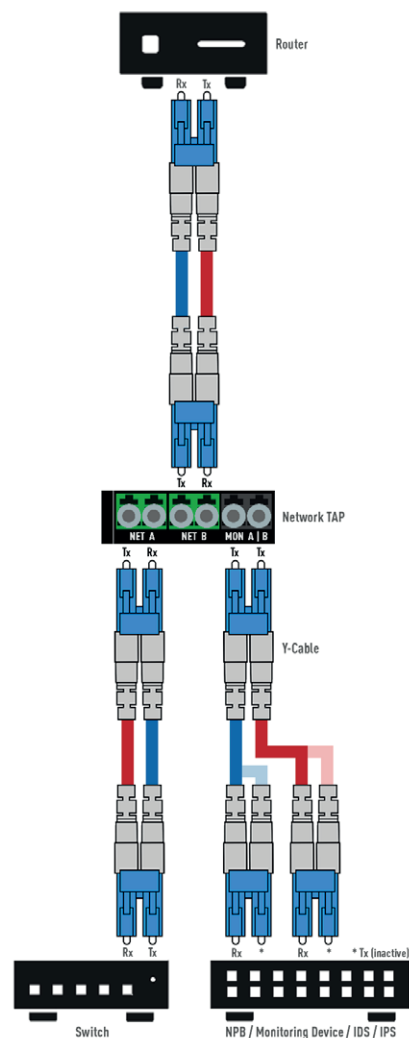
A Network TAP equipped with LC connectors has three duplex connectors, two of which are required for looping through the network traffic to be analyzed and one duplex connector for passively tapping the mirrored data for forwarding to, for example, a Network Packet Broker (NPB), an analysis system, an Intrusion Detection System (IDS) or an Intrusion Prevention System (IPS).

This is the so-called monitoring port at which both the left (in the diagram Switch) and the right (in the diagram Router) data traffic is present.

These two outputs must be fed into two monitoring ports using two transceivers in order to fully receive the bi-directional traffic, since only the receive side (Rx) of the transceivers can be used for recording.

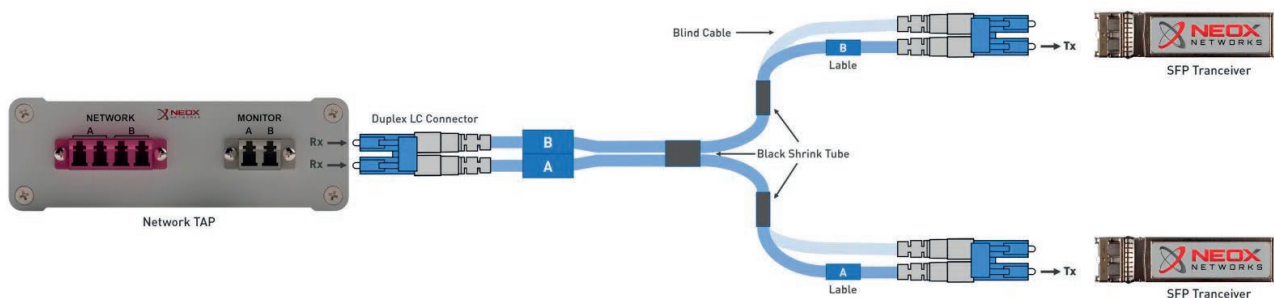
This presents a challenge because the output of the TAP is a duplex port and yet two separate ports are needed on the receive side for two individual transceivers.

To avoid this problem, it is best to use one of our special Y-cables that convert one duplex connector into two duplex connectors oriented so that light is fed exclusively into the receive side of the transceivers.



// NEOXPacketRaven

However, since this is easier to explain by means of a diagram, below you will find the diagram of a Y-cable from NEOX NETWORKS for use with (any) passive Fiber TAPs:



This image shows a Y-cable that NEOX offers to complement its passive (modular or portable) Fiber TAPs. As you can see the Y-cable is designed in such a way that the light from the TAP (which is connected on the left side of the above diagram) is correctly directed to the two receive ports of the transceivers (which would be on the right side).

Y-CABLE MODELS				
All TAPs for fiber type OS2 are also OS1 compatible!		All TAPs for fiber type OM4 are also OM3 compatible!		All TAPs for fiber type OM5 are also OM4 compatible!
ITEM NO.	FIBRE TYPE	DIAMETER	DESCRIPTION	CABLE LENGTH
NX-LC-Y-PC-OS2-1M	OS2	3.0mm	Y-Kabel / Special Patchcord LC/PC-LC/PC Duplex	1m
NX-LC-Y-PC-OS2-2M	OS2	3.0mm	Y-Kabel / Special Patchcord LC/PC-LC/PC Duplex	2m
NX-LC-Y-PC-OS2-3M	OS2	3.0mm	Y-Kabel / Special Patchcord LC/PC-LC/PC Duplex	3m
NX-LC-Y-PC-OS2-5M	OS2	3.0mm	Y-Kabel / Special Patchcord LC/PC-LC/PC Duplex	5m
NX-LC-Y-PC-OM4-1M	OM4	3.0mm	Y-Kabel / Special Patchcord LC/PC-LC/PC Duplex	1m
NX-LC-Y-PC-OM4-2M	OM4	3.0mm	Y-Kabel / Special Patchcord LC/PC-LC/PC Duplex	2m
NX-LC-Y-PC-OM4-3M	OM4	3.0mm	Y-Kabel / Special Patchcord LC/PC-LC/PC Duplex	3m
NX-LC-Y-PC-OM4-5M	OM4	3.0mm	Y-Kabel / Special Patchcord LC/PC-LC/PC Duplex	5m
NX-LC-Y-PC-OM5-1M	OM5	3.0mm	Y-Kabel / Special Patchcord LC/PC-LC/PC Duplex	1m
NX-LC-Y-PC-OM5-2M	OM5	3.0mm	Y-Kabel / Special Patchcord LC/PC-LC/PC Duplex	2m
NX-LC-Y-PC-OM5-3M	OM5	3.0mm	Y-Kabel / Special Patchcord LC/PC-LC/PC Duplex	3m
NX-LC-Y-PC-OM5-5M	OM5	3.0mm	Y-Kabel / Special Patchcord LC/PC-LC/PC Duplex	5m

